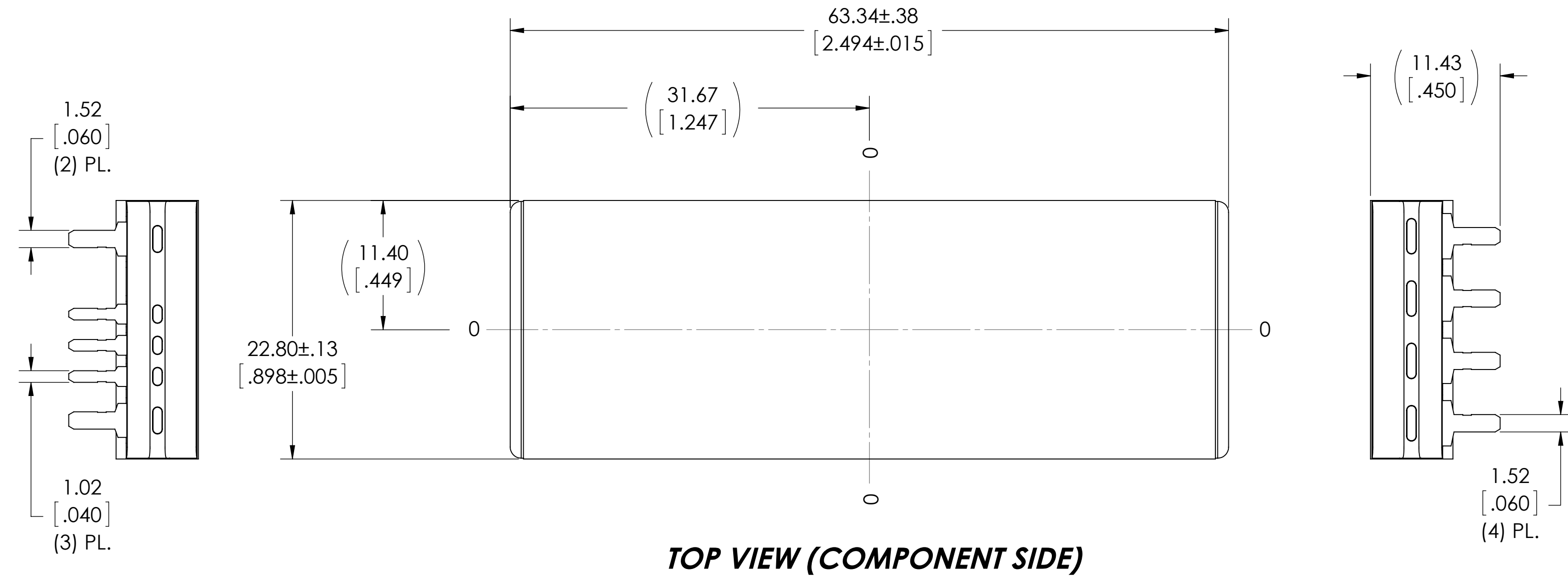
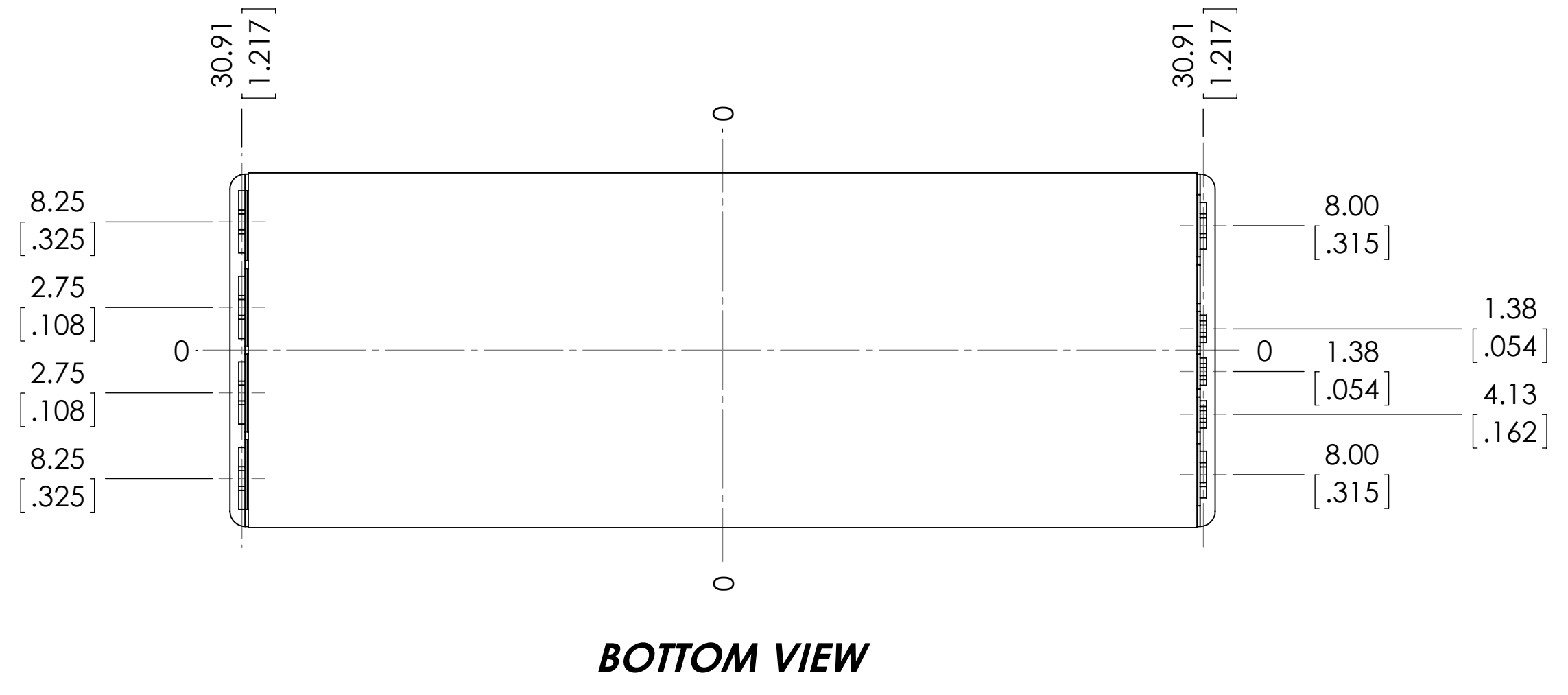


VICOR CONFIDENTIAL
 THIS DOCUMENT AND THE DATA DISCLOSED HEREIN OR HEREWITH IS NOT TO BE REPRODUCED, USED OR DISCLOSED IN WHOLE OR IN PART TO ANYONE WITHOUT THE PERMISSION OF VICOR CORP.

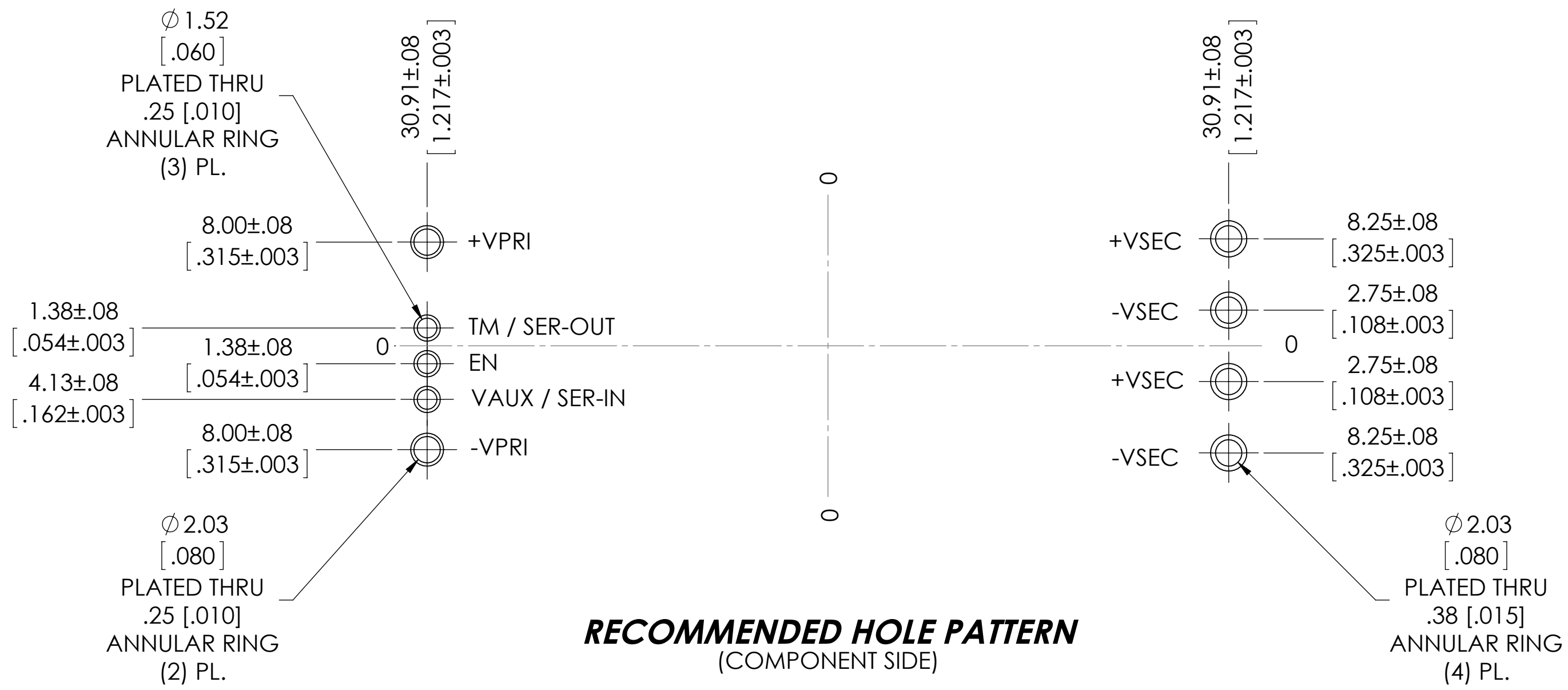
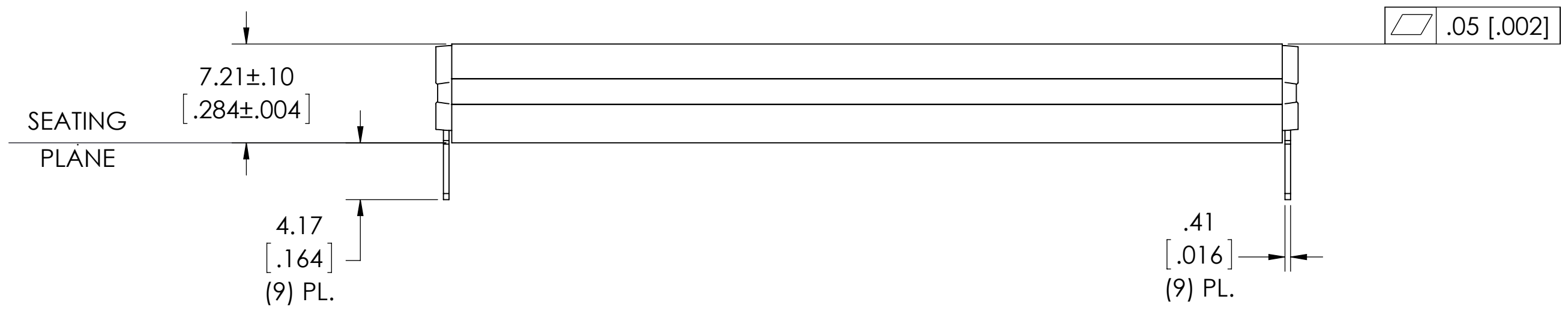
REV.	DESCRIPTION	INTL	DATE	APVD
1	RELEASED PER E131627a	REJH	11/21/13	MK
2	REVISED PER E161035B	AP	10/26/16	BH
3	REVISED PER E170413	GCK	04/25/17	REJH
4	REVISED PER E170633b	GCK	08/01/17	JM



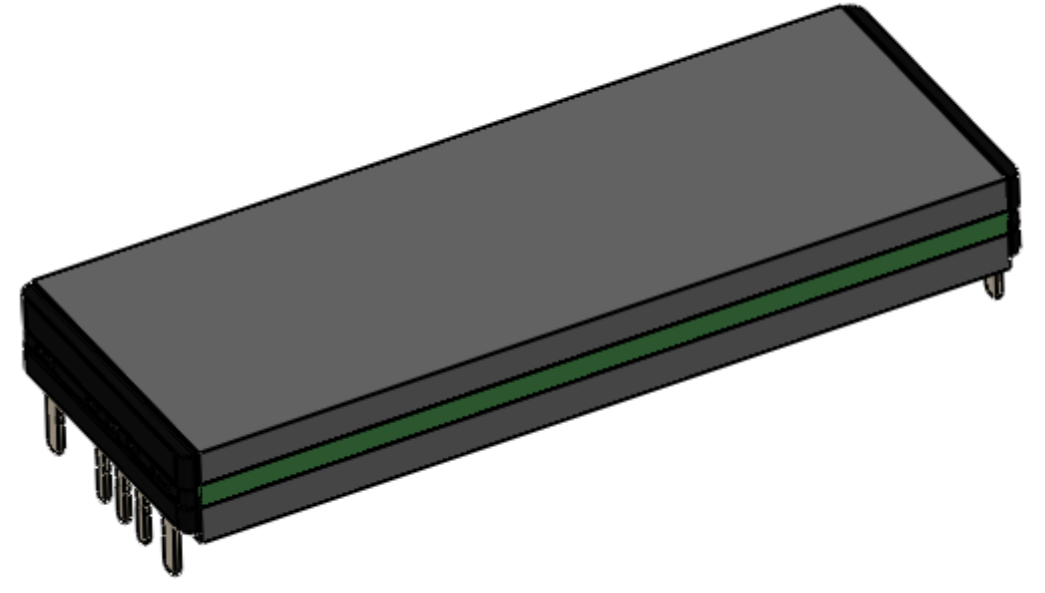
TOP VIEW (COMPONENT SIDE)



BOTTOM VIEW



RECOMMENDED HOLE PATTERN (COMPONENT SIDE)



NOTES:
 1- RoHS COMPLIANT PER CST-0001 LATEST REVISION.

DRAWN BY R.E.J. Hickey	DATE 9/4/2013	VICOR <small>swd</small>	
UNLESS OTHERWISE SPECIFIED DIMENSIONS ARE MM (INCH)		PRODUCT OUTLINE 6123 THRU HOLE	
TOLERANCES ARE: DECIMALS ANGLES XXX (XX) = +0.25 (0.01) -1° X.XXX (X.XXX) = ±0.127 (0.005)		SIZE D	CAGE CODE 67131
THIRD ANGLE PROJECTION 		DWG NO 40236	REV 4
DO NOT SCALE DRAWING		SCALE 3:1	SHEET 1 OF 1