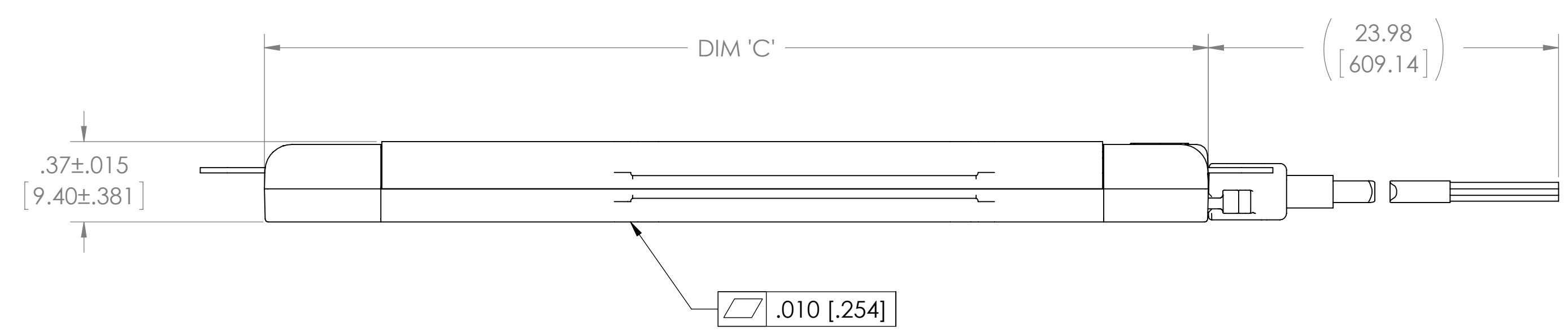
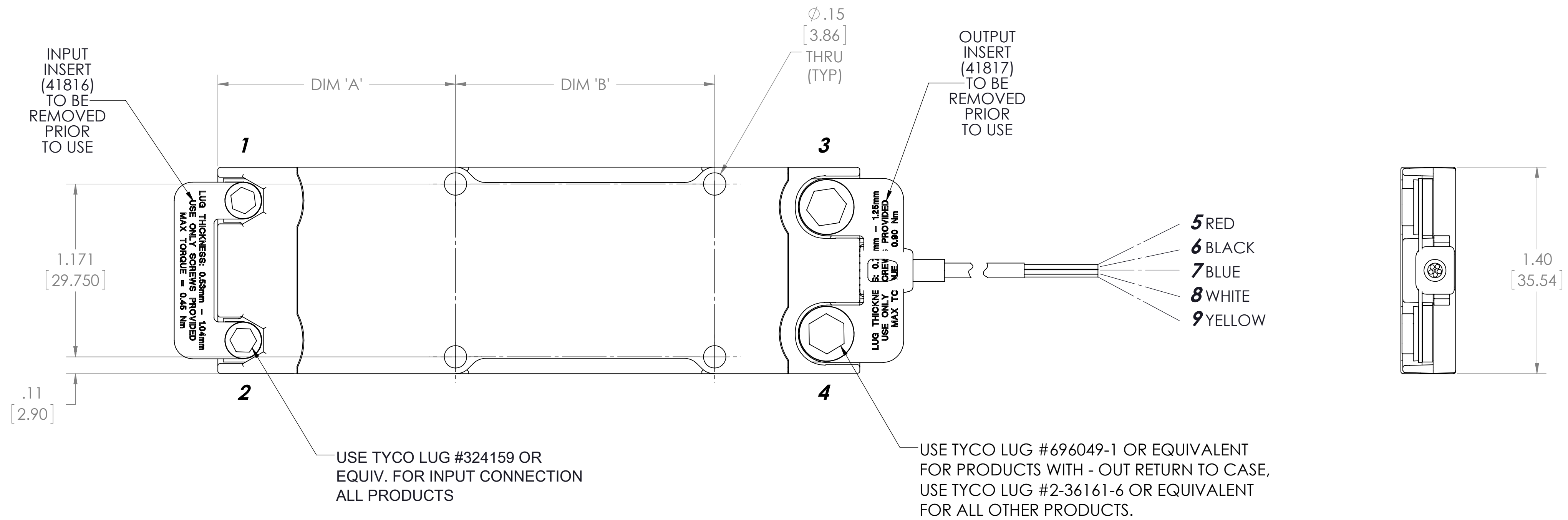


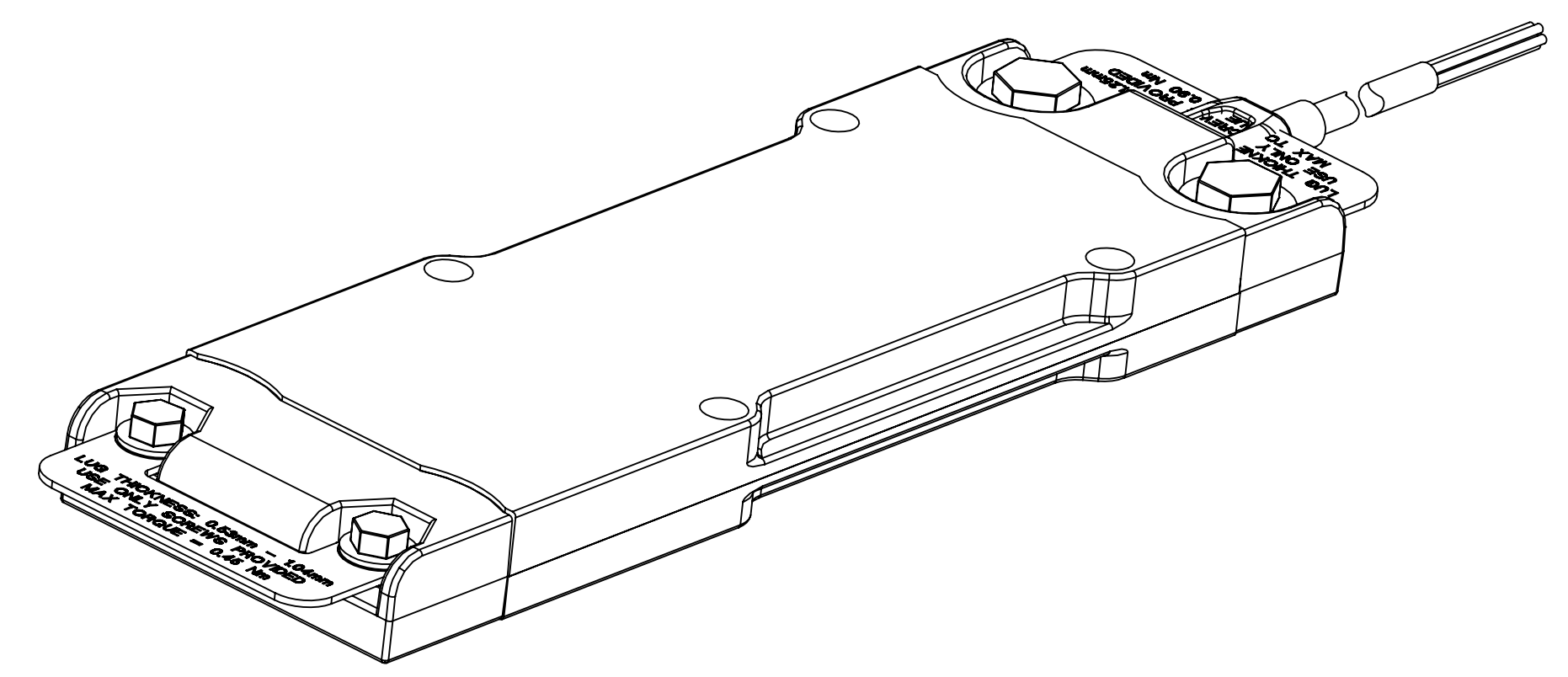
VICOR CONFIDENTIAL  
 THIS DOCUMENT AND THE DATA DISCLOSED HEREIN OR  
 HEREWITH IS NOT TO BE REPRODUCED, COPIED, OR  
 DISCLOSED IN WHOLE OR IN PART TO ANYONE WITHOUT  
 THE PERMISSION OF VICOR CORP.

REV.	DESCRIPTION	INTL	DATE	APVD
1	RELEASE PER E180437	REJH	06/20/18	RLT



PRODUCT	DIM 'A'	DIM 'B'	DIM 'C'
3414 DCM	1.61 [40.93]	.788 [20.005]	3.38 [85.93]
3714 DCM	1.61 [40.93]	1.150 [29.200]	3.75 [95.13]
3814 NBM - OUT RETURN TO CASE	1.02 [25.96]	1.277 [32.430]	3.76 [95.59]
3814 BCM - OUT RETURN TO CASE	1.02 [25.96]	1.277 [32.430]	3.76 [95.59]
4414 BCM	1.61 [40.93]	1.757 [44.625]	4.35 [110.55]
4414 BCM - OUT RETURN TO CASE	1.61 [40.93]	1.277 [32.430]	4.35 [110.55]
4414 UHV BCM	1.65 [41.93]	1.718 [43.625]	4.35 [110.55]
4414 PFM	1.61 [40.93]	1.757 [44.625]	4.35 [110.55]
4414 PFM 3kV	1.61 [40.93]	1.658 [42.110]	4.35 [110.55]
4914 PFM	2.17 [55.12]	1.757 [44.625]	4.91 [124.75]

- NOTES:
- 1- RoHS COMPLIANT PER CST-0001 LATEST REVISION.
  - 2- SEE PRODUCT DATA SHEET FOR PIN DESIGNATIONS



DRAWN BY R.E.J. Hickey	DATE 9/30/2017	<b>VICOR</b> <small>swd</small>		
UNLESS OTHERWISE SPECIFIED DIMENSIONS ARE: INCH / [MM]		<b>PRODUCT OUTLINE, CHASSIS MOUNT, WITH COMM</b>		
TOLERANCES ARE: DECIMALS: .010 [0.254] ANGLES: .125 [3.175]		SIZE <b>D</b>	CAGE CODE <b>67131</b>	DWG NO <b>46655</b>
THIRD ANGLE PROJECTION 		SCALE 2:1	REV <b>1</b>	SHEET 1 OF 1