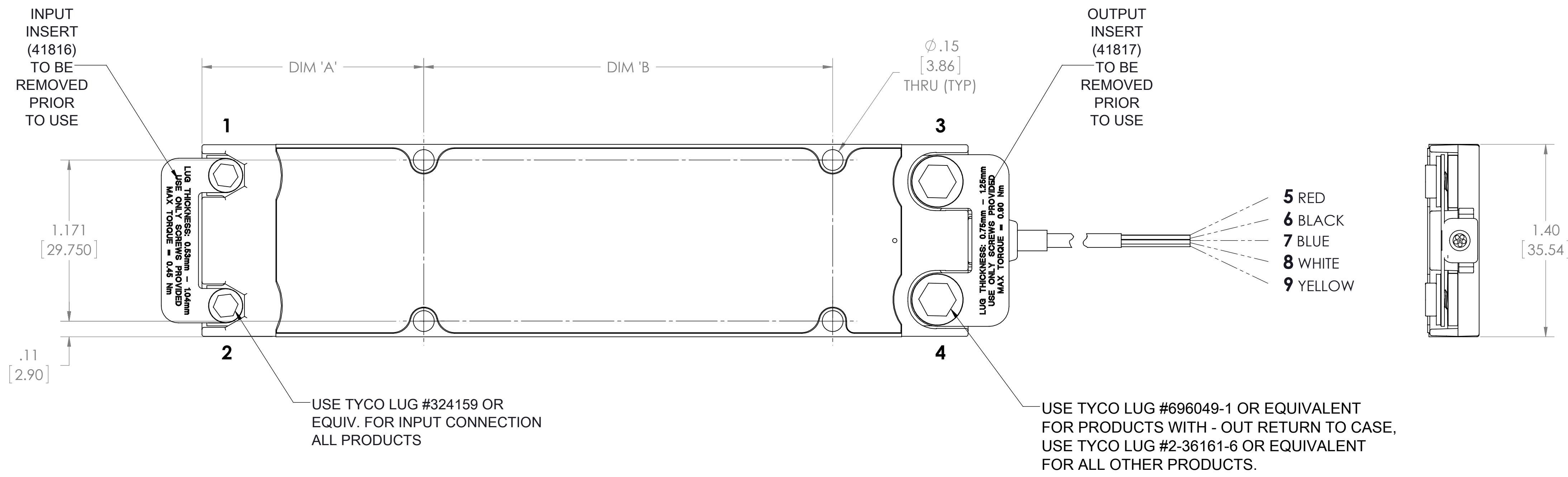
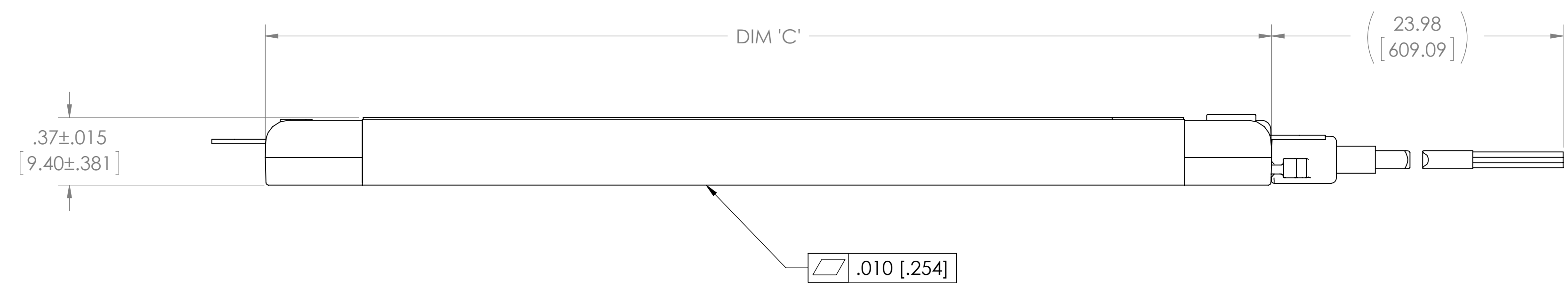


VICOR CONFIDENTIAL  
 THIS DOCUMENT AND THE DATA DISCLOSED HEREIN OR  
 HEREWITH IS NOT TO BE REPRODUCED, USED OR  
 DISCLOSED IN WHOLE OR IN PART TO ANYONE WITHOUT  
 THE PERMISSION OF VICOR CORP.

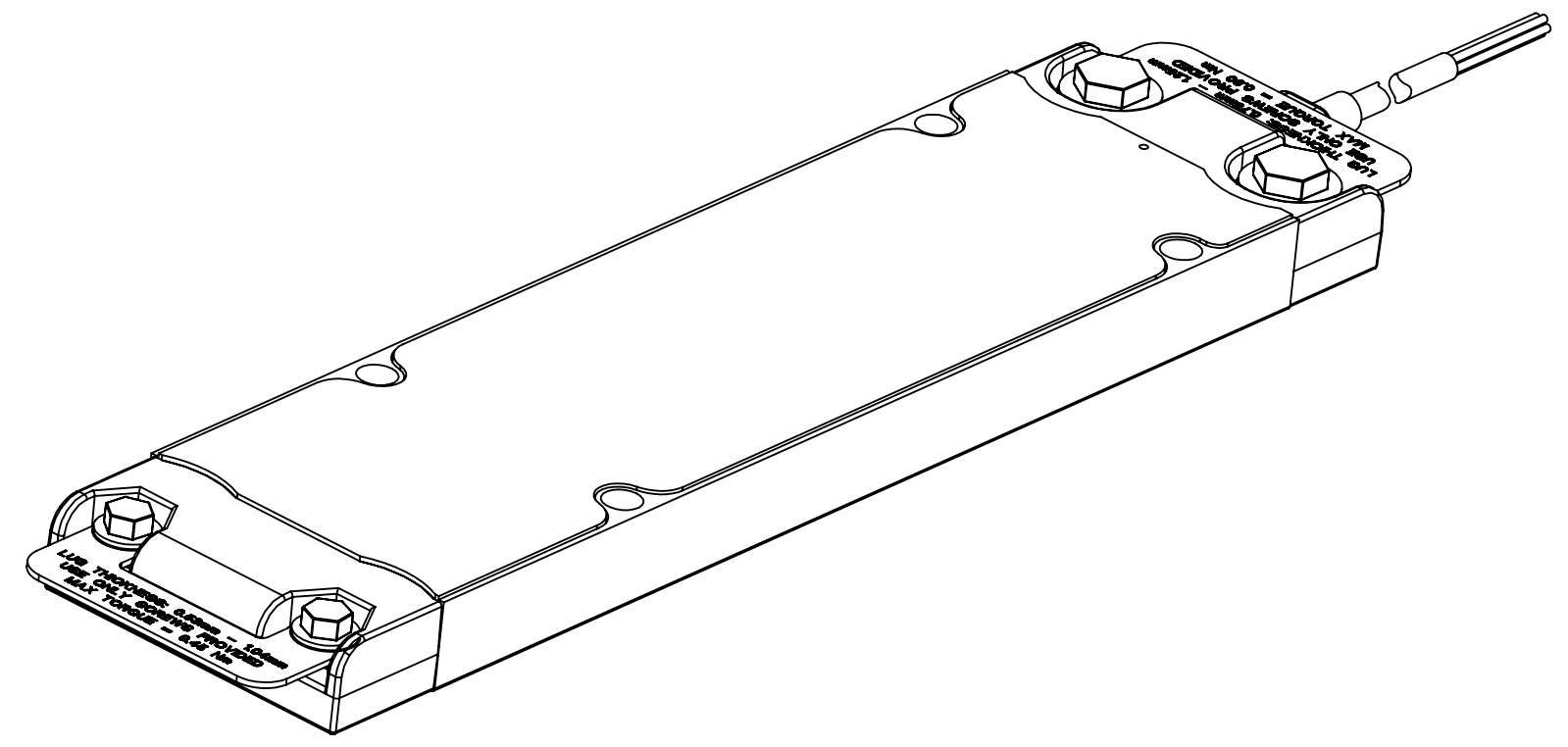
REV.	DESCRIPTION	INTL	DATE	APVD
1	RELEASE PER E180430g	REJH	06/11/18	EB



PRODUCT	DIM 'A'	DIM 'B'	DIM 'C'
5614 DCM	1.61 [40.93]	2.970 [75.445]	5.57 [141.43]



- NOTES:
- 1- RoHS COMPLIANT PER CST-0001 LATEST REVISION.
  - 2- SEE PRODUCT DATA SHEET FOR PIN DESIGNATIONS



DRAWN BY R.E.J. Hickey	DATE 5/15/2018	<b>VICOR</b> <small>SWD</small>		
UNLESS OTHERWISE SPECIFIED DIMENSIONS ARE: INCH / [MM]		<b>PRODUCT OUTLINE, CHASSIS MOUNT, WITH COMM</b>		
TOLERANCES ARE: DECIMALS ANGLES X.XX [X.XX] = ±0.01 [0.25] °11" X.XXX [X.XXX] = ±0.005 [0.127]		SIZE <b>D</b>	CAGE CODE <b>67131</b>	DWG NO <b>47543</b>
THIRD ANGLE PROJECTION 		SCALE 2:1	REV <b>1</b>	SHEET 1 OF 1